

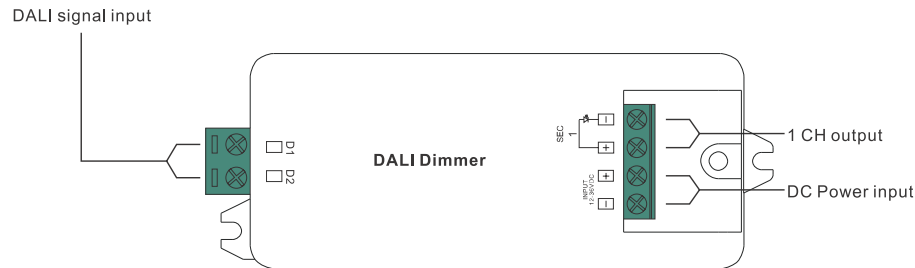
DALI Dimmable Driver(1 channel)

09.2303S.04077



Important: Read All Instructions Prior to Installation

Function introduction



Product Data

No.	Input Voltage	Output Current	Output Power	Remarks	Size(LxWxH)
1	12-36VDC	1x8A	1x(96-288)W	Constant voltage	95x37x20mm
2	12-36VDC	1x350mA	1x(4.2-12.6)W	Constant current	95x37x20mm
3	12-36VDC	1x700mA	1x(8.4-25.2)W	Constant current	95x37x20mm

- Comply to DALI standard protocol IEC 62386-102, IEC 62386-207 and in compliance with DALI products from other international incorporation.
- 1 DALI address input, 1 channel PWM output

Safety & Warnings

- DO NOT install with power applied to device.
- DO NOT expose the device to moisture.

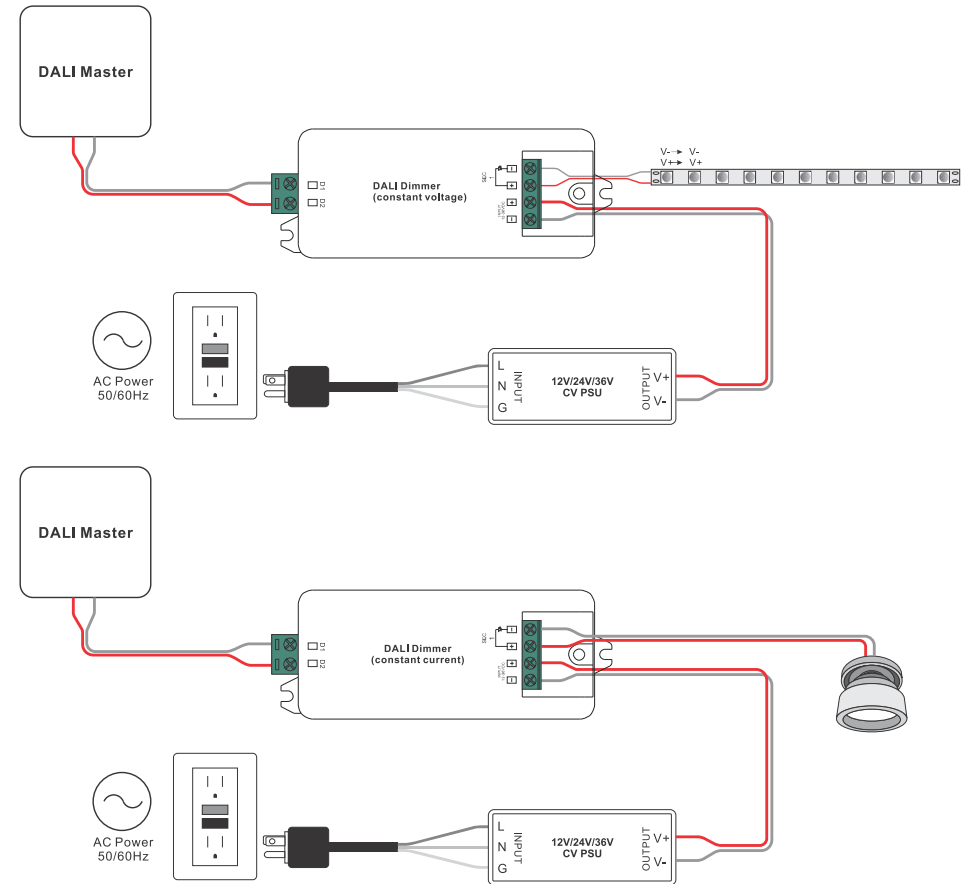
Operation

Do wiring according to connection diagram.

DALI Address Assigned by DALI Masters

This product is designed with 1 DALI address input and 1 channel output, DALI address is assigned by DALI Master controller automatically, please refer to user manuals of compatible DALI Masters for specific operations.

Wiring Diagram



V-S Led-tukku Oy
www.ledtukku.com